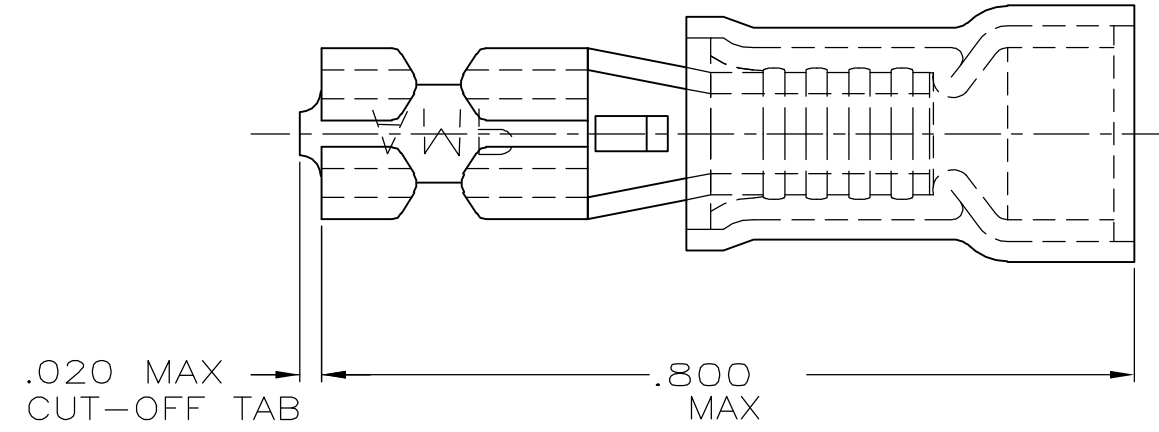
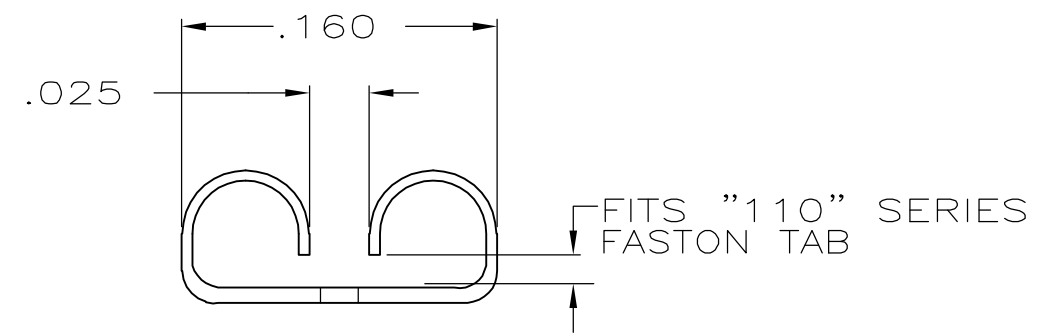
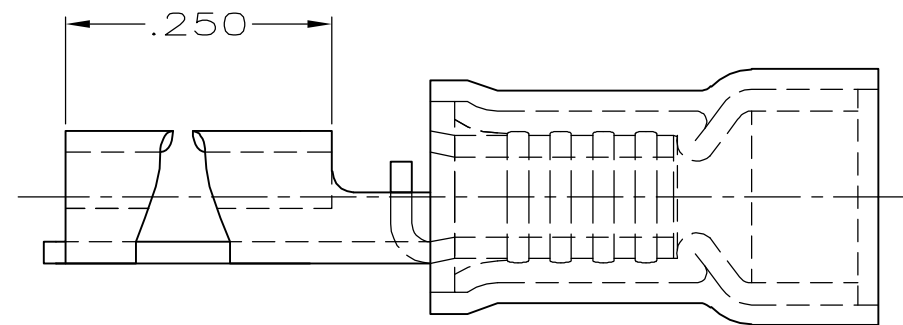


LOC	DIST	REVISIONS					
G	14	P	LTR	DESCRIPTION	DATE	DWN	APVD
		H1		REV PER ECR 06-001832	24APR06	JR	TM



- 1. INSULATION DIA .135 MAX
- 2. FITS TAB .020 THK



QTY	PACKAGE TYPE	PART NO
100	LOOSE PC,BOX	8-640923-1
-	TAPE MOUNTED	640923-2
-	LOOSE PIECE	640923-1

AMP INCORPORATED CUSTOMER SERVICE SYSTEM		MAX RECOMMENDED OPERATING TEMPERATURE: -	THIS DRAWING IS A CONTROLLED DOCUMENT FOR AMP INCORPORATED. IT IS SUBJECT TO CHANGE AND THE CONTROLLING ENGINEERING ORGANIZATION SHOULD BE CONTACTED FOR THE LATEST REVISION.	DWN L OLMEDA 13NOV95 CHK M ELLIS 15NOV95 APVD B BARE 15NOV95	AMP AMP Incorporated Harrisburg, PA 17105-3608 NAME RECEPTACLE, 110 SERIES, FASTON™, PIDG™, WIRE SIZE, 22-18 AWG
FOR ADDITIONAL PRODUCT INFORMATION OR COPIES OF DRAWINGS AND TECHNICAL DOCUMENTS PRODUCT INFORMATION CENTER 1-800-522-6752	FOR APPLICATION TOOLING INFORMATION TOOLING ASSISTANCE CENTER 1-800-722-1111	VOLTAGE RATING: -	DIMENSIONS: INCHES 	TOLERANCES UNLESS OTHERWISE SPECIFIED: 0 PLC ±- 1 PLC ±- 2 PLC ±.015 3 PLC ±- 4 PLC ±- ANGLES ±-	
FOR ORDER ENTRY 1-800-526-5142		CIRCULAR MIL AREA: -	MATERIAL BODY,BRASS .016 SLV,NYLON,COLOR, RED	FINISH BODY,PRE-TIN	SIZE A3 CAGE CODE 00779 DRAWING NO C-640923
AMP 1470-19 REV 09MAY94 Translated 021119.125937 (YYMMDD.HHMMSS) from Computervision, Inc., Medusa Revision 12.2.5T					CUSTOMER DRAWING SCALE NTS SHEET 1 OF 1 REV H1

Mouser Electronics

Authorized Distributor

Click to View Pricing, Inventory, Delivery & Lifecycle Information:

[TE Connectivity:](#)

[8-640923-1](#)