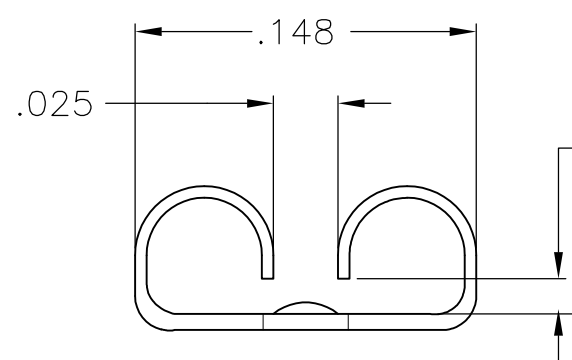
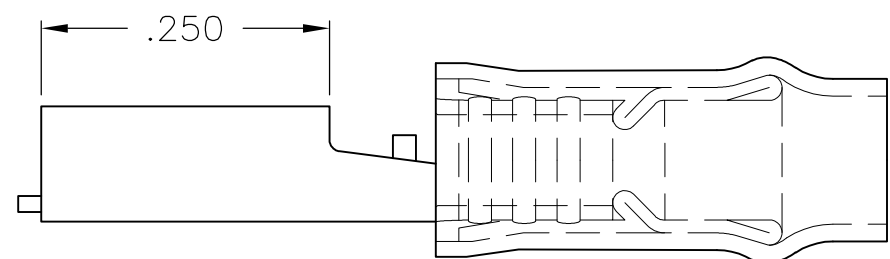
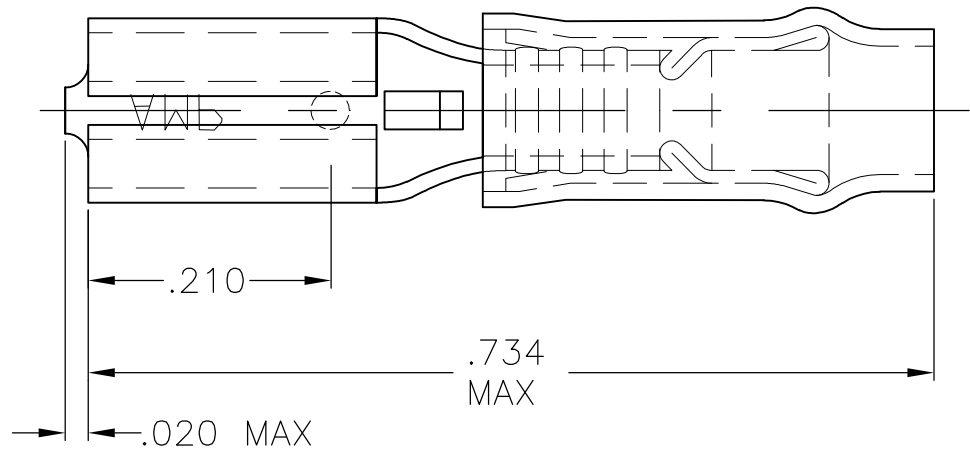


THIS DRAWING IS UNPUBLISHED. RELEASED FOR PUBLICATION
 © COPYRIGHT - By - ALL RIGHTS RESERVED.

LOC	DIST	REVISIONS					
		P	LTR	DESCRIPTION	DATE	DWN	APVD
G	14		H	REVISED PER ECO-14-015277	21FEB2015	NK	DR



FITS "110" SERIES FASTON TAB
 (REFER TO CP-16000 FOR TAB DETAILS)

- 1 THIS TERMINAL TO BE SUPPLIED IN INDIVIDUAL FORM, NOT AS CONTINUOUS STRIP.
- 2 INSULATION RANGE .100 MAX.
- 3 TAB THK .016±.001.

QTY	PACKAGE TYPE	PART NO
100	LOOSE PIECE,BOX	8-61048-1
-	TAPE MOUNTED	61048-2
-	LOOSE PIECE	61048-1

AMP INCORPORATED CUSTOMER SERVICE SYSTEM	
FOR ADDITIONAL PRODUCT INFORMATION OR COPIES OF DRAWINGS AND TECHNICAL DOCUMENTS	PRODUCT INFORMATION CENTER 1-800-522-6752
FOR APPLICATION TOOLING INFORMATION	TOOLING ASSISTANCE CENTER 1-800-722-1111
FOR ORDER ENTRY	1-800-526-5142

MAX RECOMMENDED OPERATING TEMPERATURE: -
VOLTAGE RATING: -
CIRCULAR MIL AREA: -

THIS DRAWING IS A CONTROLLED DOCUMENT.	
DIMENSIONS: INCHES	TOLERANCES UNLESS OTHERWISE SPECIFIED:
	0 PLC ± -
	1 PLC ± -
	2 PLC ± .015
	3 PLC ± -
	4 PLC ± -
	ANGLES ± -
MATERIAL BODY,BRASS .012	FINISH BODY,PRE-TIN

DWN L OLMEDA	13NOV95
CHK M ELLIS	13NOV95
APVD B BARE	13NOV95
PRODUCT SPEC	-
APPLICATION SPEC	-
WEIGHT	-

STE TE Connectivity			
RECEPTACLE, 110 SERIES, FASTON™, PIDG™, WIRE SIZE, 22-18			
SIZE	CAGE CODE	DRAWING NO	RESTRICTED TO
A3	00779	C-61048	-
CUSTOMER DRAWING		SCALE NTS	SHEET 1 OF 1
		REV H	

Mouser Electronics

Authorized Distributor

Click to View Pricing, Inventory, Delivery & Lifecycle Information:

[TE Connectivity:](#)

[8-61048-1](#)