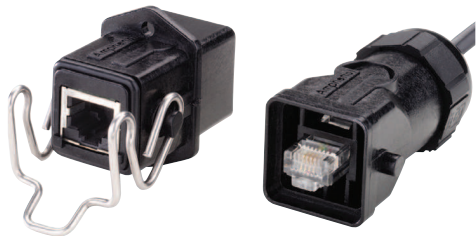


# RJF EZ

Ethernet connection system for harsh environment – Industrial Ethernet



RJFEZ allows you to use an Ethernet Class D / Cat. 5e connection for 10 BaseT, 100 BaseTX or 1000 BaseT networks in harsh environments. With the patented RJStop® system you can use a standard RJ45 cordset in a protective **composite** plug which will protect it from shocks, dust and fluids.  
**No hazardous on-field cabling and grounding!**

- Applications**
- Telecom equipment
  - Video control
  - Robotics
  - Industrial process control
  - CNC machines
  - Special machines
  - Motion control
  - Tele-maintenance

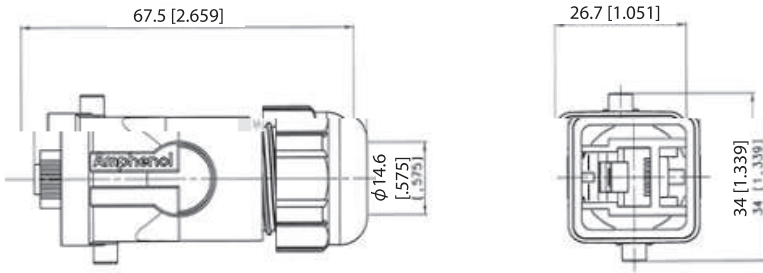
- Main characteristics**
- Compliant with IEC 60603-7 variante 13
  - Sealed against fluids and dust (IP68)
  - Shock, vibration and traction resistant
  - No cabling operation in field and no tools required
  - **Quick lever coupling**
  - RJ45 cordset retention in the plug: 70 N in the axis
  - Mating cycles: 500 min
  - Compatible with cable diameter from 5,5 mm [0.216 in] to 7 mm [0.275 in]
- Environmental protection**
- Sealing: IP68
  - Salt spray > 1000 h
  - Fire retardant / Low smoke: UL94 V0 and NFF 16102, DIN 5510-2
  - Thermal shock: 5 cycles at - 40°C / +100°C
  - Operating temperature: - 40°C / +85°C
- Data transmission**
- 10 BaseT, 100 BaseTX and 1000 BaseT networks  
Cat 5e per TIA/EIA 568B and ClassD per ISO/IEC 11801

**Part number code**

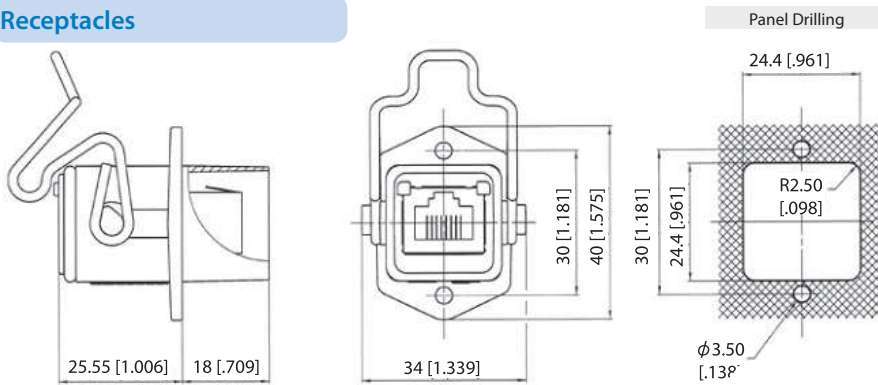
	RJF EZ	2	2	03 100BTX
<b>Shell type</b>				
6: composite lever plug, plastic gland				
2: composite square flange receptacle				
<b>Back terminations (for receptacles only)</b>				
1: female RJ45				
2: RJ45 cordset				
<b>Cordset length (for receptacles with "2" back termination only)</b>				
03 100BTX: 0.3m [11.81 inches]				
05 100BTX: 0.5m [19.68 inches]				
10 100BTX: 1m [39.37 inches]				
15 100BTX: 1.5m [59.05 inches]				
<b>Remark: Cabling configuration</b> → 100 BTX = 568B (Ethernet specification)				

- Examples:
- Plug: RJF EZ 6
  - Receptacle, female RJ45 back termination: RJF EZ 21
  - Receptacle, 1,5m [59.05"] 100 BTX cordset termination: RJF EZ 22 15 100BTX

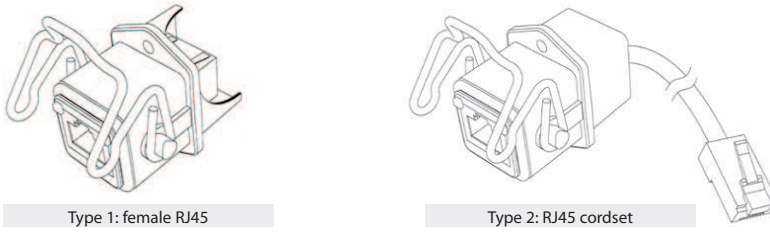
## Plug



## Receptacles



## Back terminations

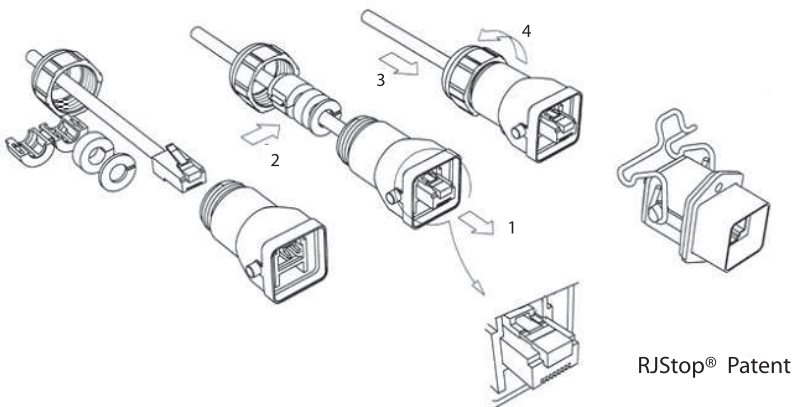


Type 1: female RJ45

Type 2: RJ45 cordset

Notes: type 2 without RJ45 plug at the end of the cable is also available: consult factory

## Assembly instructions



## Accessories

- IP68 dust caps  
For plugs: **not available**  
For receptacles: RJF EZ BE



- Panel gasket  
Thickness: 1 mm [0.039]  
Part No. RJF EZ JE

