

AMPHENOL

FD308

FILTERED D-SUB

RUGGEDIZED

Amphenol's FD308 connectors are available in the full range of standard and high-density arrangements, either pin or socket. These connectors are supplied with fixed screw machine contacts and are available in Solder Cup, Straight or Right Angle PCB terminations.

Applications:

- Computers and Peripheral Equipment
- Ideal for Retrofit Applications or Late Design-In

SPECIFICATIONS

PRODUCT FEATURES:

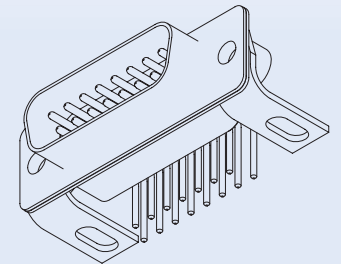
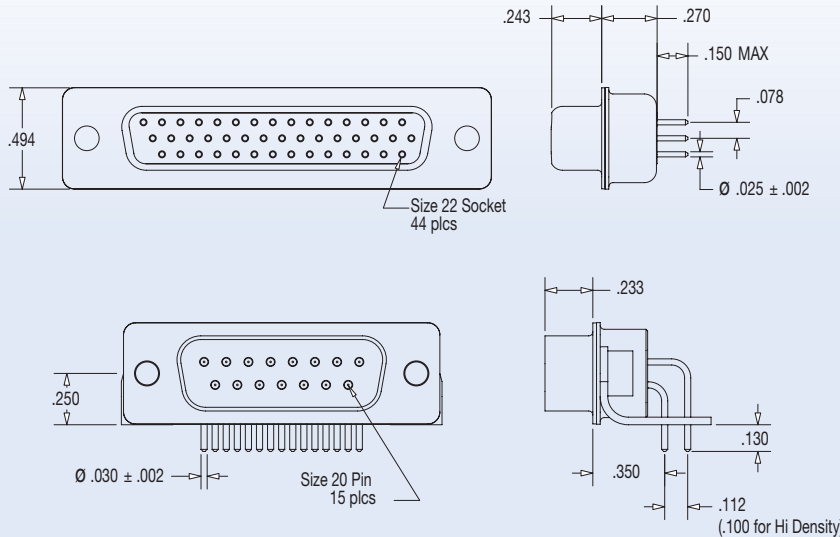
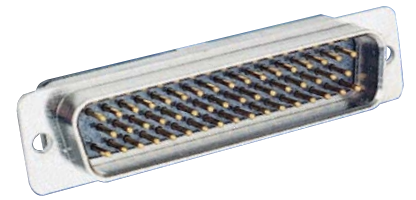
- HI RELIABILITY FILTERING IN MULTI ROW ARRANGEMENTS
- STAMPED AND FORMED SHELLS
- SCREW MACHINE CONTACTS AND HI RELIABILITY INSERTS
- AVAILABLE IN ALL HI-DENSITY INSERT PATTERNS
- MATES WITH MIL-DTL-24308 D-SUBS

MATERIALS AND PLATINGS:

SHELLS	STAMPED STEEL SHELL, TIN PLATED
INSERTS	HIGH TEMPERATURE RESISTANT POLYETHERSULFONE PER MIL-P-46185
CONTACTS	MACHINED COPPER ALLOY, 20µ" GOLD OVER NICKEL
CAPACITOR	BARIUM TITANATE CERAMIC ARRAY

ELECTRICAL RATINGS:

CURRENT	5 A
INSULATION RESISTANCE	5 GΩ @ 200 Vdc
WORKING VOLTAGE	200 Vdc
D.W.V.	500 Vdc PIN-PIN / PIN-SHELL
CAPACITANCE	+/- 20%
INSERTION LOSS	SEE BACK PAGE
TEMPERATURE	-55°C / +125°C



FD308 - B44 S A 1 A2 - 000

SIZE & NUMBER OF CONTACTS

STD Density E09, A15, B25, C37, D50
High Density E15, A26, B44, C62, D78, 6104

CONTACT TYPE

S = Socket Contact (Receptacle)
P = Pin Contact (Plug)

TERMINATION STYLE

A = Right Angle PCB
B = Vertical PCB
C = Solder Cup (Plug ONLY)

000 = Standard part
other deviations as required

CAPACITANCE CODE

A2 = 200 pF **A4** = 400 pF
01 = 1000 pF **02** = 2000 pF
05 = 5000 pF

MOUNTING TYPE

1 = 4-40 Clinch Nut
2 = Ø.120 thru hole
3 = R/A Mounting Bracket
4 = 4-40 Clinch Nut with
R/A Mounting Bracket

Visit www.amphenolcanada.com for drawings.