

Amphenol Canada's M13 connector series is a range of filtered MIL-C-83513 Micro-D products for military and aerospace applications. These extremely small (0.050" center spacing) filter connectors employ monolithic planar capacitors in a rugged, high density package ideally suited for applications where space and weight is restricted. Available in a variety of filter types and mechanical configurations, including wired harnesses, the M13 series are fully intermateable with all standard MIL-C-83513 connectors and meet the applicable performance and environmental requirements.

SPECIFICATIONS:

Filter Circuits	C, CLR, LRC					
Capacitance (pF) (@ 25 C, 1 kHz and 1.0 VRMS)	150 to 300	300 to 500	600 to 1000	1200 to 2000	4000 to 8000	8000 to 16000
Insertion Loss (dB min.) (per MIL-STD-220 @ 25 C and no load)	.1 MHz	-	-	-	-	-
	1 MHz	-	-	-	-	-
	10 MHz	-	-	2	5	13
	100 MHz	7	13	18	24	33
1000 MHz	33	40	48	50	54	60
Working Voltage (VDC) (@ 25 C & sea level)	100					
Dielectric Withstanding Voltage (VDC) (@ 25 C and 50 mA max. charging current)	300					
Insulation Resistance (Gohms) (@ 25 C and working voltage)	5					
Contact Current Rating (continuous max. DC amperes)	3					
Filter RF Current Rating (amperes) (max. @ any frequency)	3					

ORDERING INFORMATION

M13 - 21 S 3 C A2 1 1 - 000

Amphenol Series
M13

Contact Arrangement
9, 15, 21, 25, 31, 37

Connector Type
P = Pin
S = Socket

Termination Style
1 = .019 X 150 PCB
2 = 19 X .250 PCB
3 = Solder Cup
4 = Right Angle PCB
5 = Insulated Stranded Wire (18")

Filter Circuits
C = Capacitive

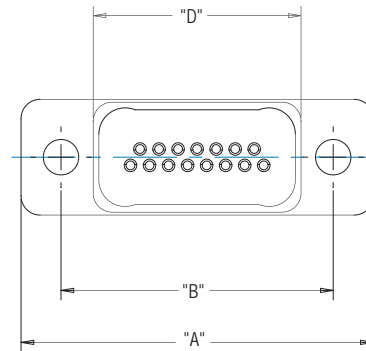
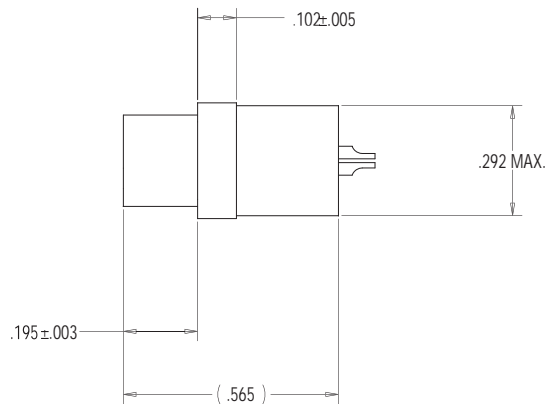
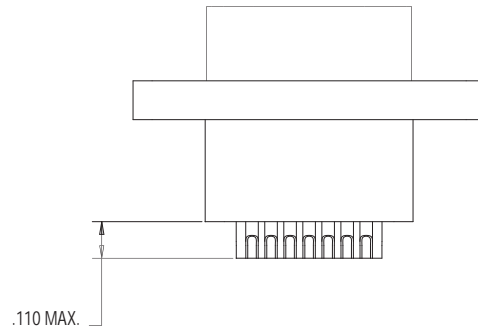
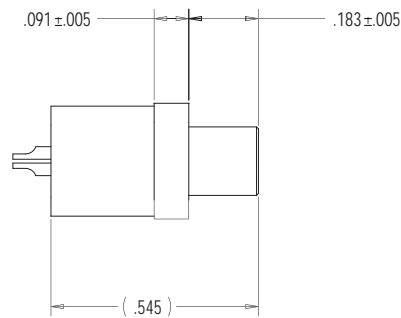
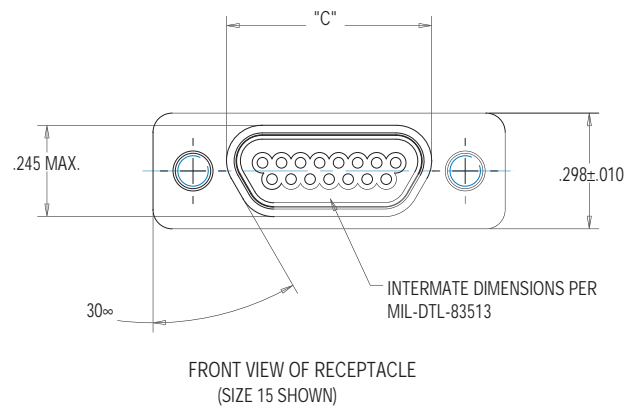
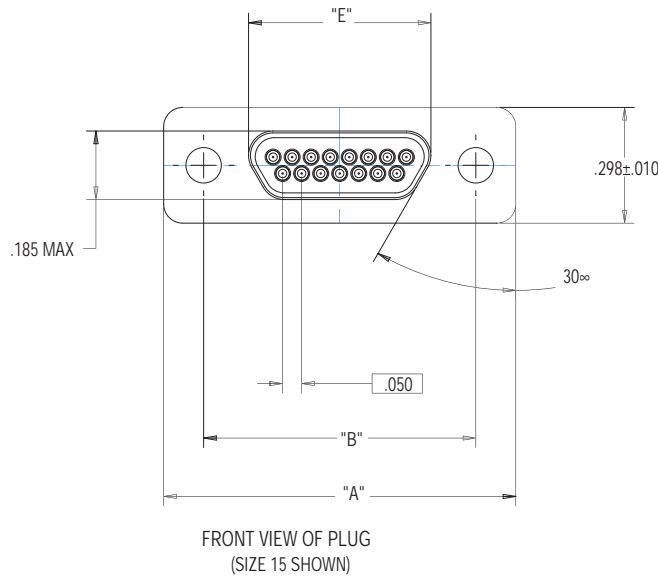
Special Deviations
000 = Standard

Shell Plating
1 = Electroless Nickel
2 = Tin
3 = Cadmium (yellow)
4 = Gold

Mounting Styles
1 = .092" Dia. Hole
2 = 2-56 Thread
3 = Right Angle Mtg

Capacitance
A2 = 150 - 300pF
A3 = 300 - 500pF
A6 = 600 - 1000pF
01 = 1200 - 2000pF
04 = 4000 - 8000pF
08 = 8000 - 16000pF

- One piece rugged aluminum shell
- Silicone environmental facial seal
- Cost and space effective solution to EMI problems
- Epoxy sealed against harsh environments
- Operating temperature range, -55C to 125C



REAR VIEW
PLUG AND RECEPTACLE

TABLE 1: SHELL DIMENSIONS

Shell Size	A±.010	B±.010	C Max.	D Max.	E Max.
9	0.775 (19.7)	0.565 (14.4)	0.400 (10.2)	0.400 (10.2)	0.333 (8.46)
15	0.925 (23.5)	0.715 (18.16)	0.550 (13.97)	0.550 (13.97)	0.483 (12.27)
21	1.075 (27.31)	0.865 (21.97)	0.700 (17.78)	0.700 (17.78)	0.633 (8.38)
25	1.175 (29.85)	0.965 (24.51)	0.800 (20.32)	0.800 (20.32)	0.733 (18.62)
31	1.325 (33.66)	1.115 (28.32)	0.950 (24.13)	0.950 (24.13)	0.883 (22.43)
37	1.475 (37.47)	1.265 (32.13)	1.100 (27.94)	1.100 (27.94)	1.033 (26.24)